

InPro-TT Safety temperature trigger


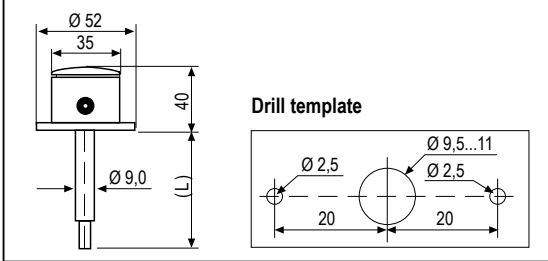
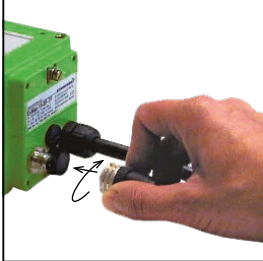
connectable to actuators **InMax-...-BF** for fire dampers

Subject to change!

Type	Function	Length (L)*	Temperature fuse duct / outside duct	Test button	Connectable to
InPro-TT-72	Safety temperature trigger	65 mm	1 temp. fuse switching at +71 °C / +72 °C	1 test button	InMax-...-BF...
InPro-TT-72-L90	Safety temperature trigger	90 mm	1 temp. fuse switching at +71 °C / +72 °C	1 test button	InMax-...-BF...

*Other lengths on request

Product views and applications

Temperature trigger	Dimensions in mm	Mounting	Quick fastener M12
		<p>Direct mounting to the duct or damper with tapping screws. Notice: Position of the sensor of the safety temperature trigger must guarantee free air flow.</p>	

Description

The thermoelectric safety trigger InPro-TT... activates the motorized fire damper into its safety position by spring return operation of an InMax-...-BF actuator.

Function

Two temperature fuses Tf1 and Tf2 are part of the trigger. In case that the ambient temperature outside the duct is more than +72 °C the temperature fuse Tf1 triggers. If the temperature inside the duct is more than +71 °C the temperature fuse Tf2 triggers.

If Tf1 or Tf2 is switching off the power, the circuit to the actuator is irreversibly cut. The spring return of the actuator moves the damper into its safety position.

Performance control

A performance control for safety operation of the damper is possible with push button of the trigger. The function of the temperature fuses Tf1, Tf2 can be simulated in this way.

Electrical wiring

The temperature trigger must be connected directly to the actuator. Remove the plastic cover and put the plug in the socket and screw tight.

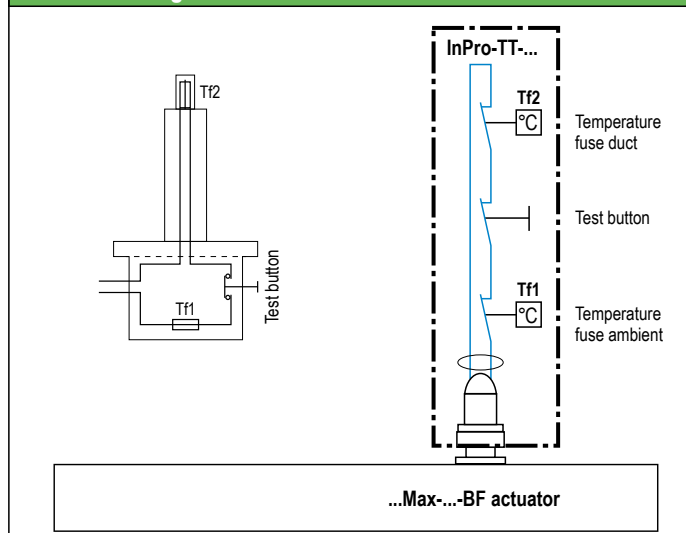
Short circuit monitoring

The InPro-TT... is continuously monitored by the actuator. If a short circuit is detected in the wiring the actuator travels back to its safety position.

Technical data

Supply	only by ...Max-...-BF... actuators by Schischek
Connection	~ 1 m cable
Cable	2 × 0,5 mm ² , -40...+220 °C, halogen-free
Cable gland	M12 × 1,5 mm brass nickel-plated Ø 4...6 mm
Temperatur fuse	1 × duct, 1 × outside duct (not changeable)
Response temperatures	Tf1 room ambient temperature at +72 °C Tf2 duct temperature at +71 °C
Ambient temperature	Ta -40...+72 °C, working temperature Tb -40...+55 °C
Storage temperature	-40...+55 °C
Humidity protection	< 95 % rH, non condensing
Weight	200 g
Materials	thermowell brass plated housing № 1.4581 / UNS-J92900 / similar AISI 316Nb cover brass plated, seal cover FPM
Maintenance	maintenance free, a yearly function control is recommended

Electrical wiring to ...Max-...-BF actuators



Approvals

CE identification	CE
EMC directive	2014/30/EU
Low voltage directive	2014/35/EU
Enclosure protection	IP66 nach EN 60529
VdS	DIN 4102-6, ISO 10294-4

Electric characteristics

U	30 V
I	30 mA
P	250 mW

Special solutions

InPro-TT-...-S1	Safety temperature trigger incl. cable gland M25 × 1,5 mm
InPro-TT-...-S6	Safety temperature trigger with 1,5 m cable