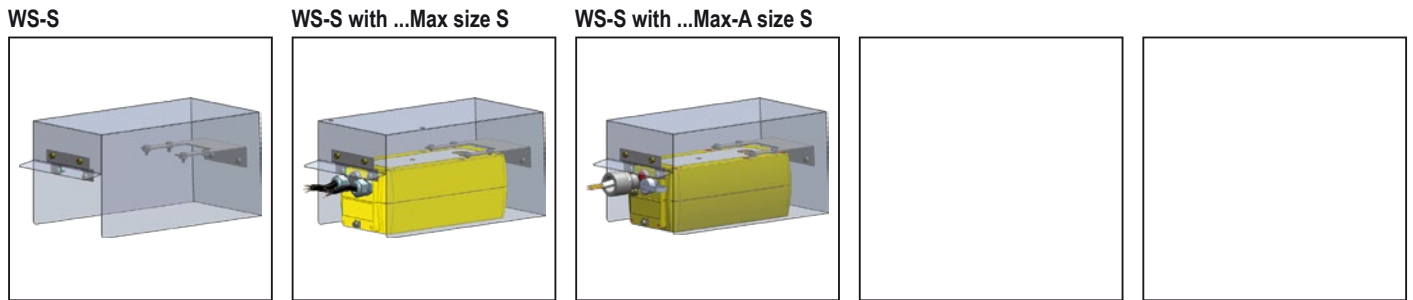


WS-S Stainless steel weather shield adaptable to ...Max actuators size S

Subject to change!

Type	Description
WS-S	Stainless steel weather shield for ...Max... size S

Product views and applications

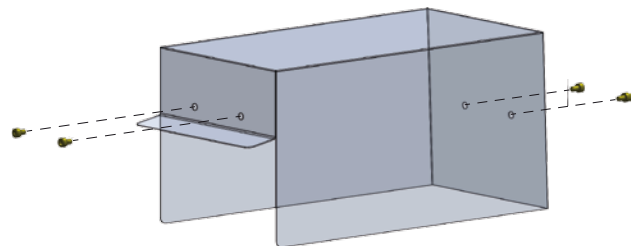


Mounting

1. Mount front bracket
2. Mount rear bracket
3. Put weather shield over the actuator
4. Fix screws

Important Notes

Avoid direct sunlight!
The maximum permissible ambient temperature may be exceeded.



Technical data

Housing material	V4A / AISI 316L / DIN EN 1.4404
Bracket	V4A / AISI 316L / DIN EN 1.4404
Screws	V4A / AISI 316L
Dimensions	L x W x H = 258 x 132 x 133 mm
Weight	~ 1 kg
Delivery	Weather shield, brackets, screws

