

InPolar Heating System

for use with Max actuators and Cos/Bin/Reg sensors
in extreme temperatures to $-50\text{ }^{\circ}\text{C}$

InPolar - ... - MS
InPolar - ... - MM
InPolar - ... - CBR
InPolar - ... - CT

Subject to change!

Compact. Easy installation. Universal. Cost-effective. Safe.

Type	suitable for	Operating temperature to	Supply voltage
InPolar- ... - MS	...Max... size S	$-50\text{ }^{\circ}\text{C}$	24 V AC/DC 48 V AC/DC 120 V AC 240 V AC
InPolar- ... - MM	...Max... size M	$-50\text{ }^{\circ}\text{C}$	24 V AC/DC 48 V AC/DC 120 V AC 240 V AC
InPolar- ... - CBR*	...Cos... ..Bin... ..Reg..**	$-40\text{ }^{\circ}\text{C}$	24 V AC/DC 48 V AC/DC 120 V AC 240 V AC

↑ Supply voltage

InPolar- ... - CT Types as above in seawater resistant version, terminal boxes with seawater resistant coating (cable glands brass nickel-plated)

* Please see information on ordering, commissioning and the operation of the ...Polar...-CBR with the Cos, Bin or Reg sensors!

** With aluminium housing.

Product images and applications

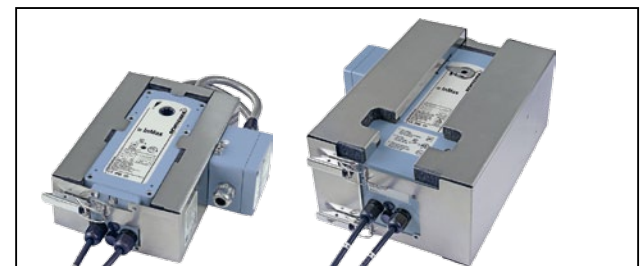
InPolar-...-MS



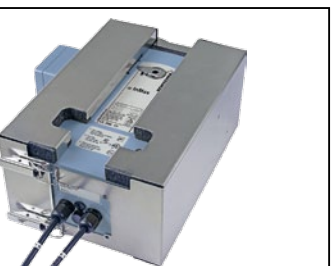
InPolar-...-MM



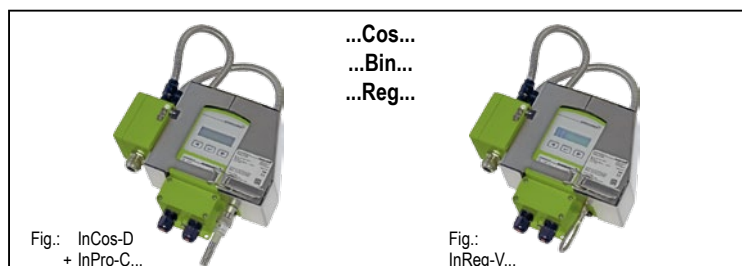
InPolar-...-MS-CT



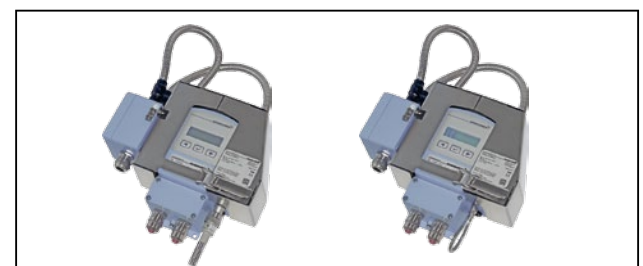
InPolar-...-MM-CT



InPolar-...-CBR



InPolar-...-CBR-CT



Description

The InPolar supplementary heaters ensure that Schischek Max actuators can additionally be used at operating temperatures to $-50\text{ }^{\circ}\text{C}$ and Cos/Bin/Reg sensors can be operated to $-40\text{ }^{\circ}\text{C}$. Best quality materials, IP protection, small dimensions and low weight guarantee safe operation even under difficult environmental conditions. The ...Polar provides for equilibrium between ambient temperature, temperature of the heating element and the ideal operating temperature of Schischek devices. The stainless steel housing ensures energy efficiency, storing heat and reducing heat loss to a minimum. This will lower your operating costs and make sure that equipment continues to function when you need it. The ...Polar is fully assembled for easy, on-site installation.

Highlights

- ▶ Industrial use
- ▶ Control thermostat monitors ambient temperatures and heat levels
- ▶ Robust heating including reversible temperature shutdown (thermostat)
- ▶ Easy to install and dismantle
- ▶ Stainless steel housing, IP66 protection
- ▶ High quality, UV-resistant insulation
- ▶ Can be retrofitted
- ▶ Electrical supply via prefitted terminal box
- ▶ All add-ons can continue to be used (note operating temperatures!)

- InPolar heating system
- ① Heater with integrated temperature limiters
- ② Thermostat
- ③ Terminal box
- ④ Insulation system with stainless steel enclosure
- ⑤ Stainless steel safety tubing (protects supply cables)



Fig.: InPolar...-MS on an InMax... size S

- ① Heater
- ...Polar...-MS right
- ...Polar...-MM left
- ...Polar...-CBR left

Information ...Polar-CBR

Ordering

Please implicitly specify the type of sensor with which you will be using the heating system.

We adapt the housing of the Polar-CBR for the additional output elements of the following sensors.

- Cos with additional analogue outputs: ...Cos-P...-A, ...Cos-D-A, ...Cos-A-A
- Bin with two and more channels: ...Bin-A2, ...Bin-A5

Types of Cos, Bin, Reg sensors

The Polar-CBR is suitable for Cos, Bin and Reg sensors with aluminium housing.

Please note that equipment with external elements and add-ons that are not heated by the ...Polar... may only be operated and stored at the corresponding specified ambient temperatures! If you require more information on the operation of equipment with external elements and add-ons, please contact us here at Schischek or get in touch with your local Rotork dealer.

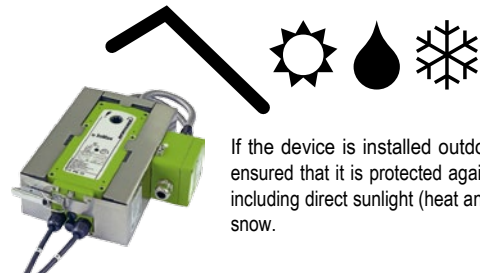
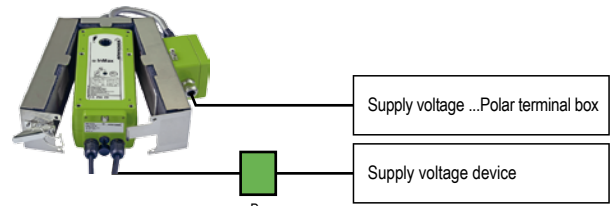
Technical data	InPolar	...-MS	...-MM	...-CBR
Supply voltage/Frequency	24 V AC/DC, 48 V AC/DC, 120 V AC or 240 V AC – 50/60 Hz with AC			
Power consumption	at 24 V: 2.5 A Protection class III (grounded) at 48 V: 1.3 A Protection class I (grounded) at 120 V: 0.5 A Protection class I (grounded) at 240 V: 0.3 A Protection class I (grounded)			
Output (nominal)	60 W ± 5 %			
Electrical connection	terminal box with terminals 0.5...4 mm ² , equipotential bonding 4 mm ²			
Cable gland	M20 × 1.5 mm, cable bushing Ø 6...13 mm			
Material Enclosure	Stainless steel № 1.4404 / UNS-S31603 / AISI 316L			
Heater/Thermostat	Aluminium, seawater resistant galvanised, NBR gasket			
Terminal box	Aluminium, powder-coated, EPDM gasket			
Insulation	Armacell/HT			
Dimensions	see section "Installation"			
Weight		~ 1.9 kg	~ 2.2 kg	~ 1.8 kg
Ambient temperatures	Storage temperature -50...+60 °C, ambient temperature during operation -50...+60 °C			
Humidity	0...90 % RH, non condensing			
Preheat time	~ 1 h			
Thermostat	Heating function	ON / OFF: T _R = -10 °C / 0 °C		
Heizung	Temperature monitoring:	ON / OFF: T _{1lim} = +60 °C / +15 °C, T _{2lim} = +70 °C / +5 °C		
Operating mode	100 % ED (= duty cycle)			
Scope of delivery	Heating system with insulation, including heating element, control thermostat, terminal box and securing elements			
Status on delivery	Prefitted terminal box	right	left	left

Compliance and certifications

CE identification	CE
EMC directive	2014/30/EU
Low voltage directive	2014/35/EU
Enclosure protection	IP66 per EN 60529
EAC	TC N RU Д-DE.AJ33.B.01845

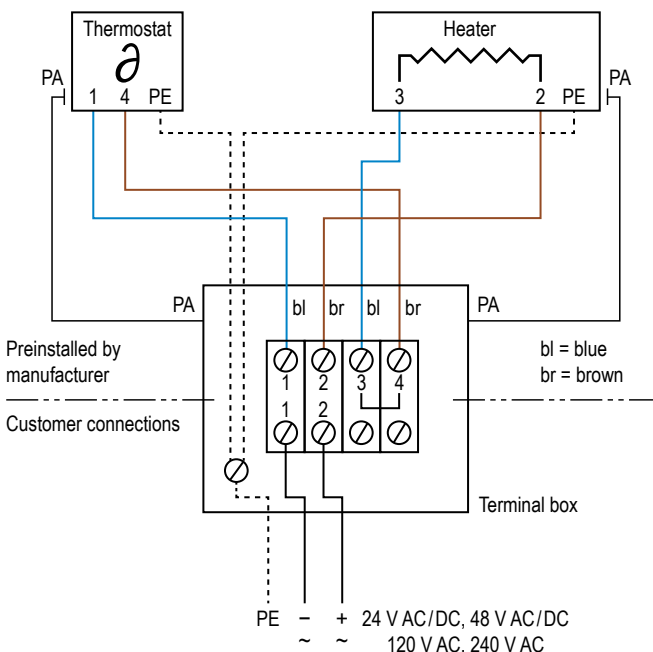
Important information on installation, operation and maintenance

- All national and international standards, rules and regulations must be complied with.
 - All exposed metal elements, even if these are not live, must be grounded by the protective earthing system irrespective of their rated operational voltage.
 - An at least 4 mm² cable must be used for grounding/earthing (potential bonding); this must be in contact with the operating element.
 - An annual function test is recommended. See section "Function of the heating system".
 - The ambient temperatures for devices, including all non-heated elements and add-ons, may not exceed or fall short of specified ranges.
 - If devices, elements and add-ons are operated or stored at ambient temperatures outside specified ranges, these can be damaged and their functioning and safety may be impaired. Devices must be inspected by manufacturers prior to use.
-
- Close all openings to ensure enclosure protection.
 - Clean using a moist cloth only. Remove any accumulated dust.



Electrical connection

- The supply cable must be securely installed and protected against damage. The operator must ensure that the cable is not exposed to excessive strain. An appropriate fuse must be provided for the power supply.
- Before opening the terminal box, ensure the device is not live.
 - Connect power cable to terminal box connectors 1 and 2.
 - Connect equipotential bonding cable.
-
- Operate the ...Polar... only in connection with an actuator or sensor. See section "Commissioning".



Function of the heating system

Heating

The thermostat T_R controls the ON/OFF switching of the heater during operation.

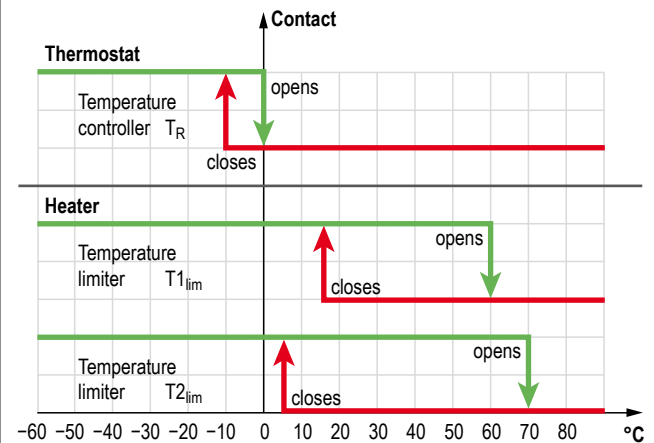
- If the temperature of the actuator or sensor falls below the lower set threshold of the thermostat, the T_R is activated by closure of the internal contact. The heater is switched ON.
- If the temperature of the actuator or sensor reaches the upper set threshold of the thermostat T_R , the thermostat is automatically deactivated by opening of the internal contact. The heater is switched OFF.

Temperature monitoring

The heater of the InPolar is protected against overheating by two integrated temperature limiters T_{1lim} and T_{2lim} .

1. If the internal temperature of the heater reaches the upper set threshold of the temperature limiter T_{1lim} , the heater is switched OFF. Once the heater has cooled to the lower set threshold temperature of temperature limiter T_{1lim} , the heater is again ready for operation.
2. If the internal temperature of the heater reaches the upper set threshold of the temperature limiter T_{2lim} , the heater is switched OFF. Once the heater has cooled to the lower set threshold temperature of temperature limiter T_{2lim} , the heater is again ready for operation.

Switching processes controlled by the temperature monitors



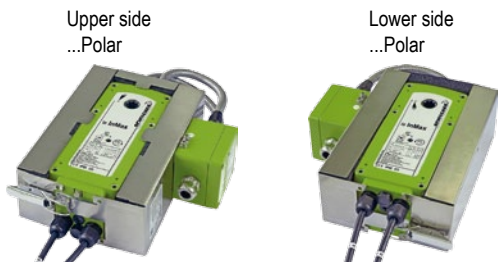
Installation ...Polar-...-M...

The terminal box of the ...Polar-...-M... can be attached to either side of the housing. Heater and thermostat are covered by foil to protect them during transport. Please ensure that this foil is removed carefully prior to operation!

The housings of actuators are symmetrical along their axis. You can determine the required direction of rotation during installation. By means of rotation through 180°, the direction of rotation can be adjusted to left or right (left/right installation).

InPolar-...-MS

with ...Max actuator size S



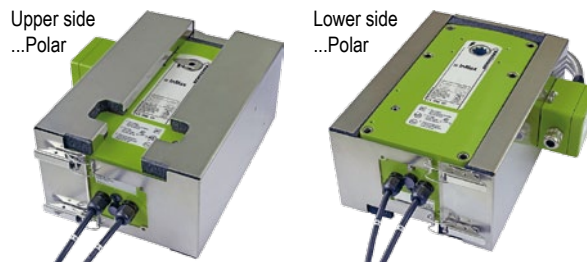
The ...Polar-...-MS can be attached to the actuator prior to or after its mounting on the armature.

The extended brackets on the upper side of the ...Polar housing are used to fix the actuator to the heating system.

1. Mount the ...Polar terminal box if necessary to the opposite side of the ...Polar housing.
2. Determine the direction of rotation required for your application.
3. Remove the protective foils carefully from the thermal pads of the heater and thermostat.
4. Pull the sides of the housing of the ...Polar slightly apart and place the ...Polar over the actuator.
5. Close the spring lock of the housing and secure this with a safety splint. You can also fix the ...Polar to the actuator using securing screws on the lock side.

InPolar-...-MM

with ...Max actuator size M



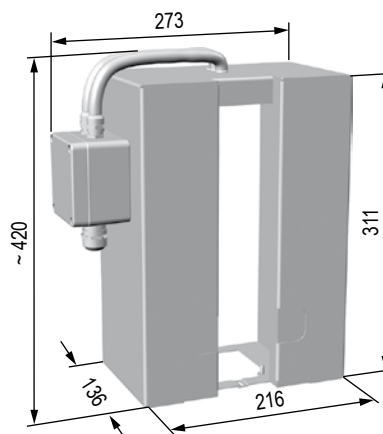
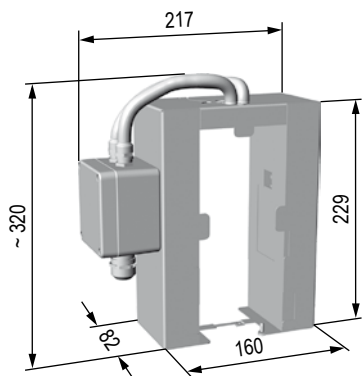
First attach the actuator to your application so that it provides the required direction of rotation.

Then fix the ...Polar-...-MM to the actuator.

The upper side of the ...Polar housing holds the actuator in contact with the heater.

1. Mount the ...Polar terminal box if necessary to the opposite side of the ...Polar housing.
2. Determine the direction of rotation required for your application.
3. Attach the actuator to your application.
4. Remove the protective foils carefully from the thermal pads of the heater and thermostat.
5. Pull the sides of the housing of the ...Polar slightly apart and place the ...Polar over the actuator.
6. Close the spring locks of the housing and secure these with safety splints. You can also fix the ...Polar to the actuator using securing screws on the lock side.

Note: Ensure the proper thermal contact between thermostat, heater and device. Otherwise the perfect function cannot be guaranteed.



Dimensions in mm
Illustrations similar

Installation ...Polar...-CBR

Upper side (front side)
...Polar


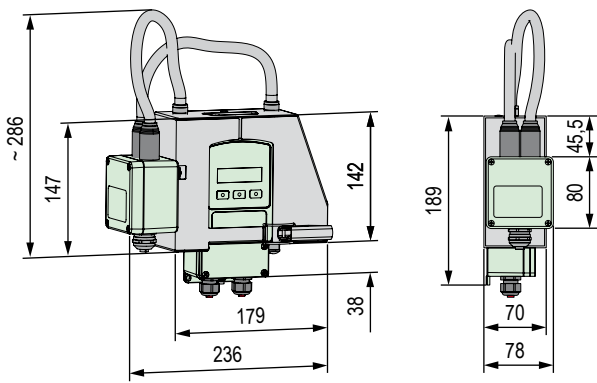


Fig.: InCos-D
+ InPro-C...

1. Attach the sensor to your application.
2. Remove the protective foils carefully from the thermal pads of the heater and thermostat.
3. Pull the sides of the housing of the ...Polar slightly apart and place the ...Polar over the sensor.
4. Close the spring lock of the housing and secure this with a safety splint.

Note: Ensure the proper thermal contact between thermostat, heater and device. Otherwise the perfect function cannot be guaranteed.



Dimensions in mm

Commissioning

- Operate the ...Polar... only in connection with an actuator or sensor.
- The operating voltage must be applied to the device permanently!

Preheat time
The power supply to the ...Polar must be switched on immediately after attachment to the actuator or sensor. Do not switch on the device during the heat-up phase.

► Troubleshooting / Error messages 

Problem	Possible causes	Solution
01 Device does not heat up	• There is a problem with the power supply.	• The ...Polar... must be supplied with power at the specified voltage.
	• The protective foils on heater and/or thermostat have not been removed prior to installation.	• Remove protective foils carefully.
	• Thermal pads have become detached from the heater and/or thermostat.	• The thermal pads must cover the entire surfaces of the heater and thermostat.
	• The temperature has exceeded 0 °C during transport, storage or operation; the heater has been deactivated.	• Allow thermostat to cool to below -10 °C. This will reset the temperature controller.
	• The internal temperature of the heater has exceeded +60 °C during operation; the heater has been deactivated.	• Allow thermostat to cool to below +15 °C. This will reset the integrated temperature limiter.
02 Operation without attached device	• The internal temperature of the heater has exceeded +70 °C during operation; the heater has been deactivated.	• Allow the heater to cool to below +5 °C. This will reset the integrated temperature limiter.
	• The heating system overheats and the protective mechanisms deactivate the heating system.	• Allow the heater to cool to below +5 °C. This will reset the integrated temperature limiter.