

# ExSwitch-R-L Ex-d linear auxiliary switch, retrofit

2 potential free contacts, adjustable on site, adaptable to **Ex-/RedRun** actuators

Subject to change!

Type	Technical data	Installation area
ExSwitch-R-L	Explosion proof, auxiliary switch with 2 adjustable contacts, potential free	Zone 1, 2, 21, 22

## Product views

ExSwitch-R-L	Dimensions in mm	Wiring diagram	Adaption to actuator

## Description

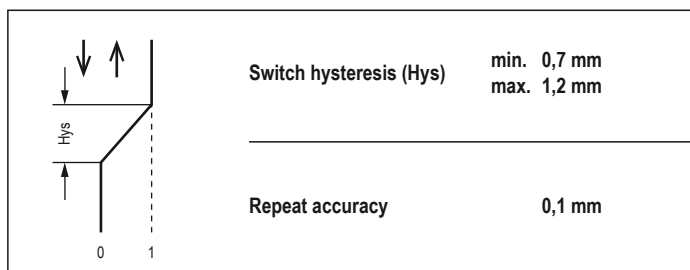
ExSwitch-R-L are adaptable auxiliary switches for use in hazardous areas for end and interim position indication.

ExSwitch-R-L have 2 potential free contacts installed in a housing which can be fitted directly to ...Run actuators. Both contacts are adjustable. Adjustment during operation is possible. ExSwitch-R-L are delivered with a cable of approx. 1 m. For electrical connection an appropriate terminal box is required (see accessories ...Box).

## Explosion proof

ATEX	PTB 00 ATEX 1093 X
	IBExU 01 ATEX 1007 X
Use in zone 1 and 2	II2G Ex d IIC T6 for gas, mists and vapours
Use in zone 21 and 22	II2D IP66 T80°C for dust
IP protection switch	IP66 in acc. with EN 60529
IP protection housing	IP43 in acc. with EN 60529

## Contact travel



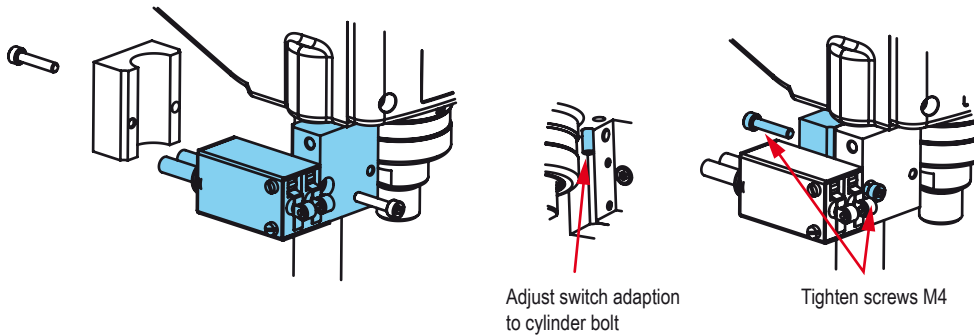
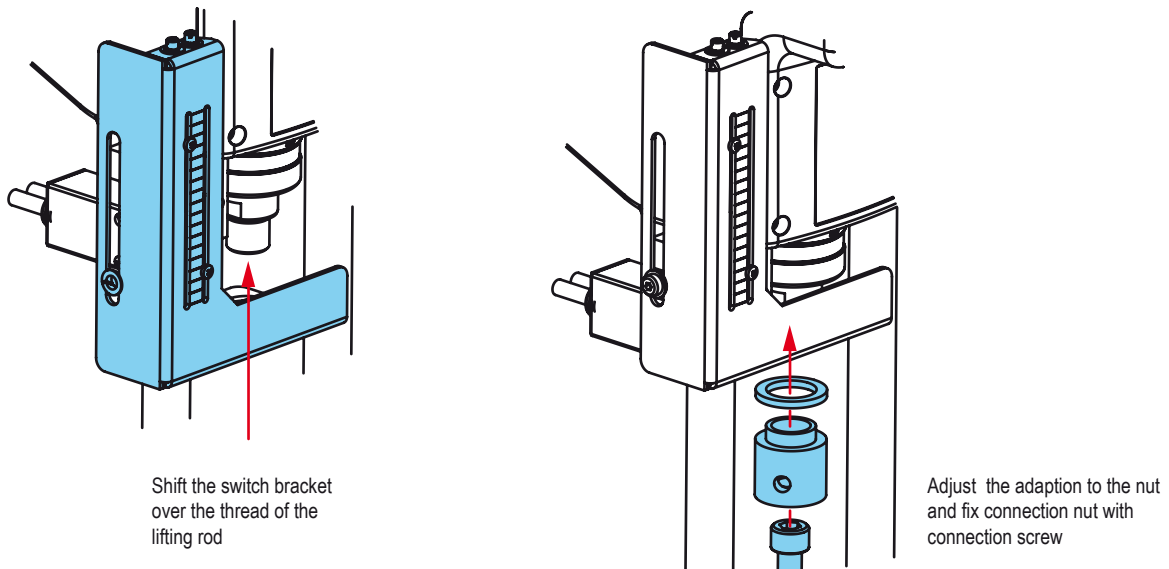
**Attention:**  
Protect cables against mechanical damage!

## Accessories

...Box/SW	Terminal box
MKK-S	Mounting bracket

## Technical data

Adaption to actuator	direct mounting to the actuator
Function	2 explosion proof auxiliary switches with potential free contacts
Max. current AC/DC	24 VAC/DC, 3 A – 240 VAC, 0,5 A min. 5 V, 4 mA
Mechanical life	2 × 10 <sup>6</sup> switch cycles
Cable connection	1 cable for each switch, approx. 1 m cable length, 3 × 0,75 mm <sup>2</sup> , cable diameter ~ Ø 7,2 mm
Ambient temperature	-50...+60 °C
Repeat accuracy	see contact travel (diagram)
Switch hysteresis	see contact travel (diagram)
Housing material	Stainless steel 1.4301
Housing material Switch	Plastic, Thermoplast
Material Switch	Changeover contacts silver, gold-plated
Delivery	1 housing with 2 integral auxiliary switches inclusive 1 switch adaption, 1 switch bracket with switch, 1 fitting screw with 2 shims, 1 connection nut, 1 damping washer, 1 cylinder bolt Ø 5 × 20 mm M3. For ...Run-75.100: additional 1 distance bolt

**► Mounting of ExSwitch-R-L on ...Run-Ventilantrieb****1. Insert cylinder bolt  $\varnothing 5 \times 20$  mm****2. Adjust switch and adaption to cylinder bolt and screw to distance column****3. Tighten the bracket with nut, damping washer and connection screw to the thread of lifting rod****4. Tighten the fitting screw through the bearing of the bracket**